

MGB-E-A-100465 (Order no. 100465)

Escape release MGB-E-A...

- ▶ Escape release from the danger zone
- ▶ Signal red door handle
- ▶ Designed for door profiles up to 40 mm
- ▶ Extended actuation axis for thicker doors (available optionally)



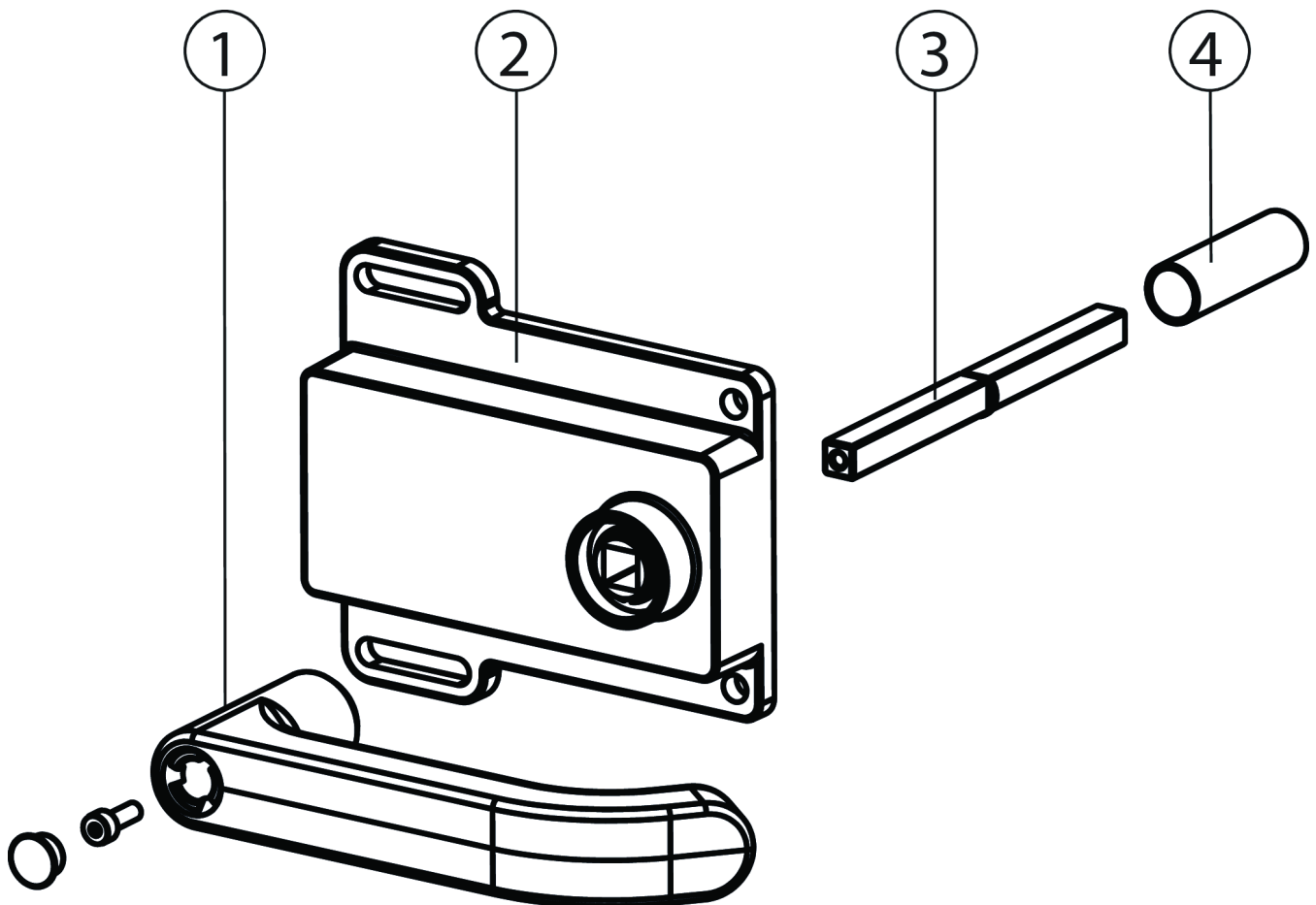
Escape release

The safety system MGB/MGB2 can be equipped with an escape release module. The escape release enables people shut in to open the locked door from the danger zone. It is only necessary to actuate the door handle. The actuating direction automatically adapts to the actuating direction of the handle module and does not need to be changed. The actuation axis supplied is suitable for profiles up to 40 mm.

Extended actuation axis

Optionally, for thicker doors or profiles measuring >40 mm, it is possible to order a 250 mm long actuation axis (instead of 107 mm) under order no. 106761. The axis can be shortened to the required dimension.

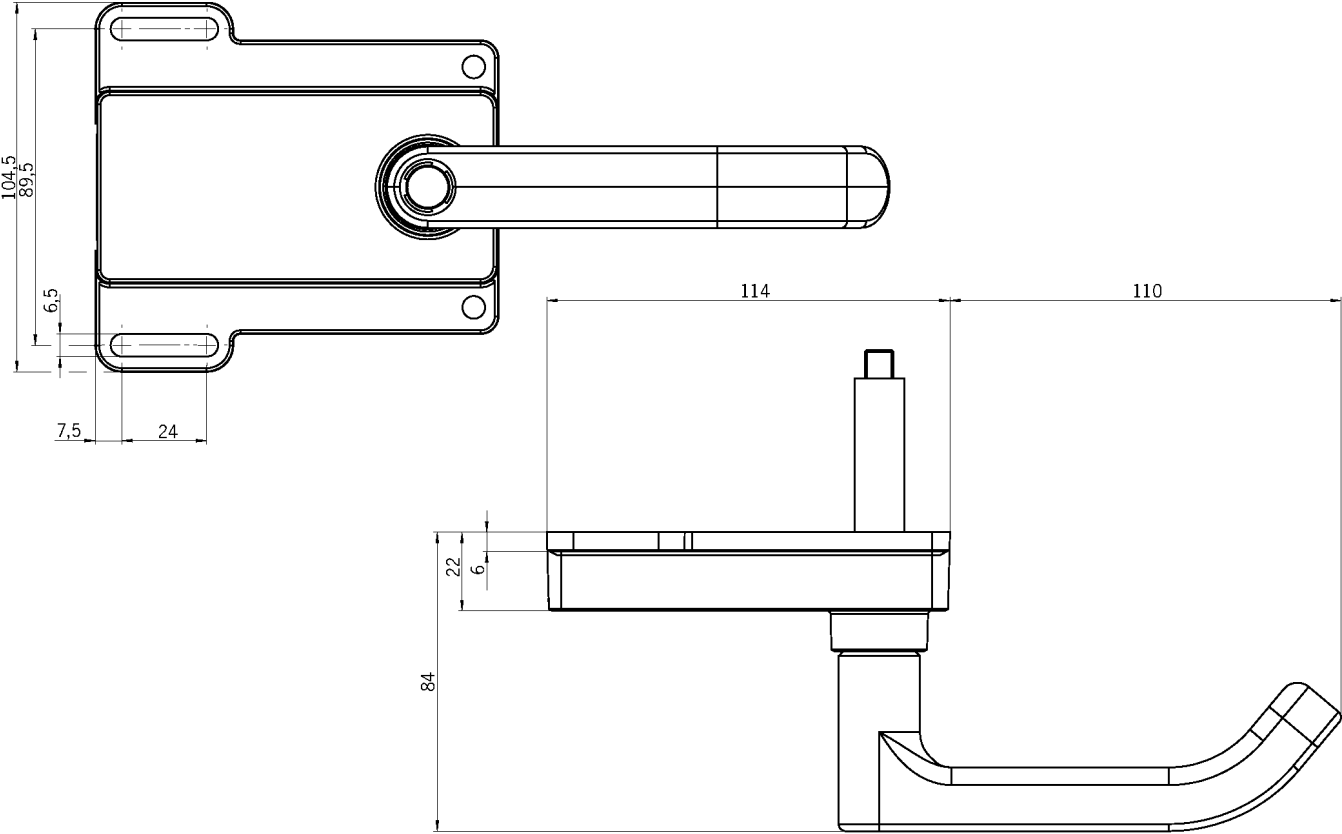
Dimensional drawings



1 Door handle

- 2 Housing
- 3 Actuation axis 8 x 8 mm
- 4 Protective sleeve

Dimensional drawings



Technical data

Mechanical values and environment

Installation orientation	any
Mechanical life	1 x 10 ⁶
Ambient temperature	-30 ... +55 °C
Material	
Housing	Die-cast zinc/stainless steel, powder-coated

Miscellaneous

Product version number	V2.0.0
------------------------	--------

Downloads

All documentation for this material can be found on our website:

<https://www.euchner.de/en-us/a/100465/?#downloads-tab>

Ordering data

Ordernumber	100465
Item designation	MGB-E-A-100465
Gross weight	0,81kg
European Article Number (EAN)	4047048005785
Customs tariff number	85389099990
ECLASS	27-27-24-92 Safety-related proximity switch (accessories)

Accessories

Function expansion

Door handle for MGB-E..., red



156945
AY-DHL-R1-156945

- ▶ Aluminum, red anodized
- ▶ For mounting on all MGB escape release modules from version 2.0.

Door knob for MGB-E/AE-R..., red



157018
AY-DKB-R1-157018

- ▶ Aluminum, red anodized
- ▶ for mounting on all MGB escape release modules from version 2.0.
- ▶ e.g. on sliding doors

Extended actuation axis for MGB-E...



106761
AY-ERS-250-106761

Mounting accessories

Mounting plate for escape release



109492
MGB-A-MOUNTINGPLATE-E-109492

- ▶ Easy and quick mounting (only two screws required)
- ▶ Quick module replacement
- ▶ Steel, powder coated
- ▶ Suitable for doors hinged on the right and left